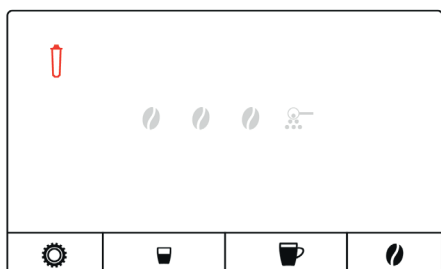


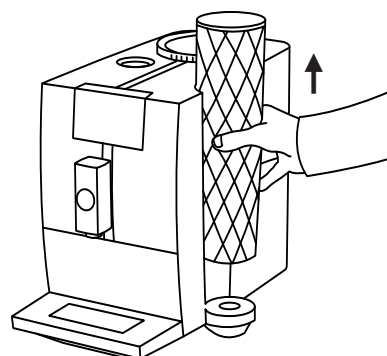
Changing the filter

⚠ These short operating instructions are not a replacement for the instructions for use. In the interests of safety, always read the safety information and warnings first.

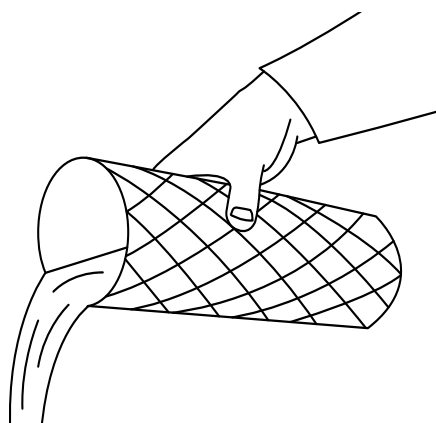
1 - "Filter" symbol lights up



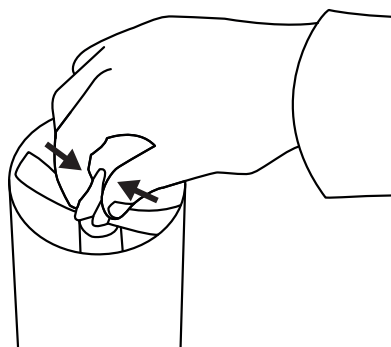
2 - Remove the water tank



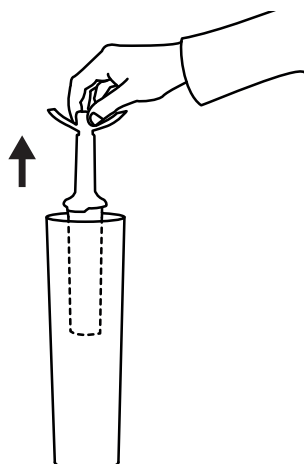
3 - Empty the water tank



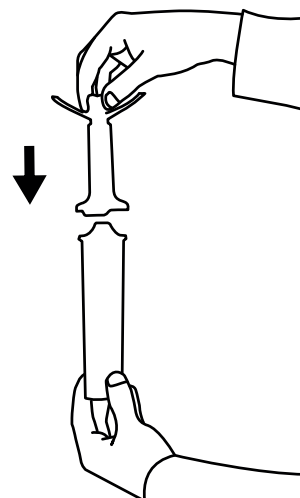
4 - Push in the filter cartridge extension



5 - Remove the filter



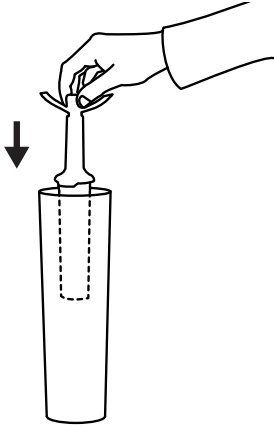
6 - Fit the extension on the top of a new filter cartridge



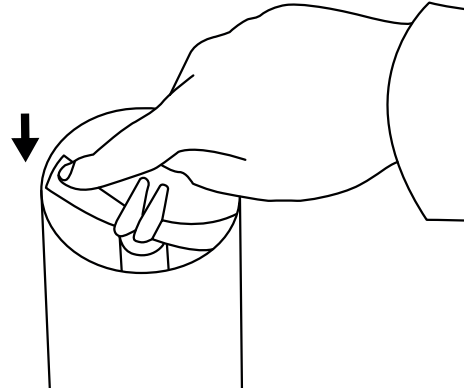
Changing the filter

⚠ These short operating instructions are not a replacement for the instructions for use. In the interests of safety, always read the safety information and warnings first.

7 - Insert the filter



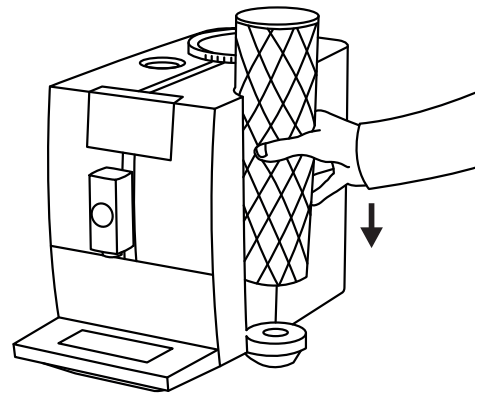
8 - Snap in 2x wings of the extension



9 - Fill the water tank



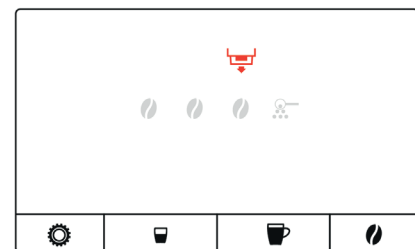
10 - Insert the water tank



11 - The filter is rinsed

12 - "Drip tray" symbol lights up

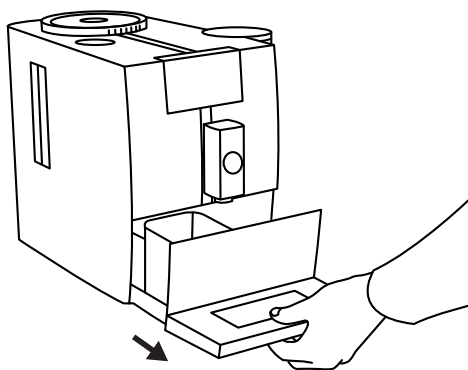
The water flows directly into the drip tray.



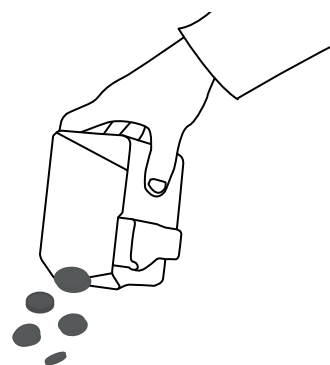
Changing the filter

⚠ These short operating instructions are not a replacement for the instructions for use. In the interests of safety, always read the safety information and warnings first.

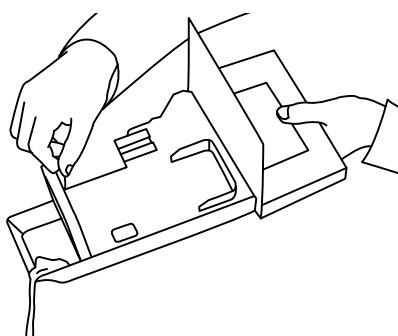
13 - Remove the drip tray



14 - Empty the coffee grounds container



15 - Empty the drip tray



16 - Insert the drip tray

