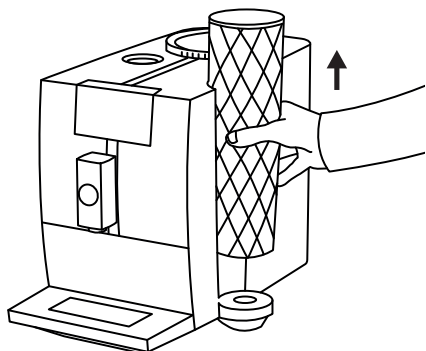


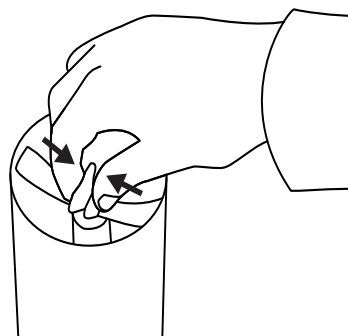
## Switching the machine from filter mode to descaling mode

⚠ These short operating instructions are not a replacement for the instructions for use. In the interests of safety, always read the safety information and warnings first.

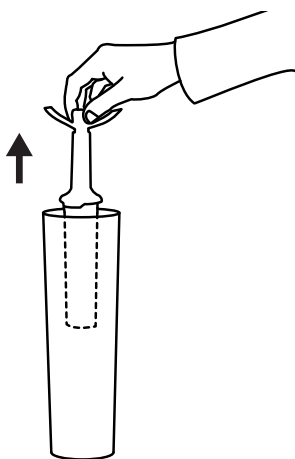
### 1 - Remove the water tank



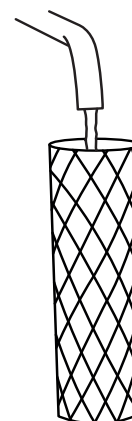
### 2 - Push in the filter cartridge extension



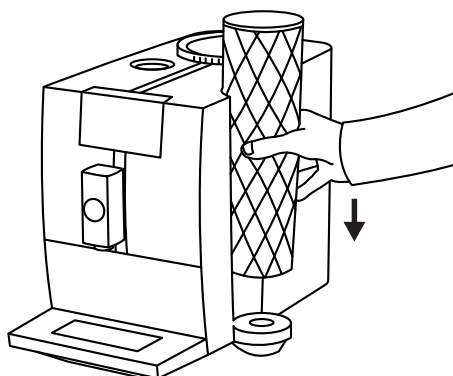
### 3 - Remove the filter



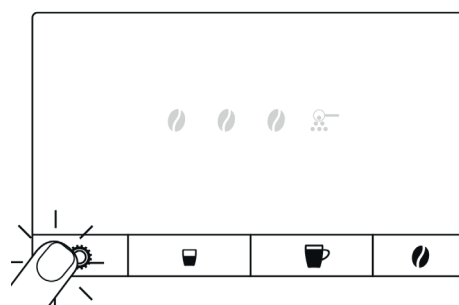
### 4 - Fill the water tank



### 5 - Insert the water tank



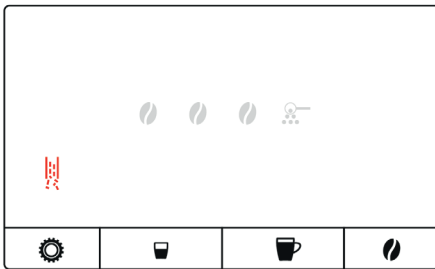
### 6 - Press the "Programming Mode" button



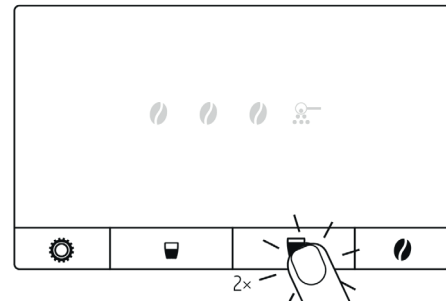
## Switching the machine from filter mode to descaling mode

⚠ These short operating instructions are not a replacement for the instructions for use. In the interests of safety, always read the safety information and warnings first.

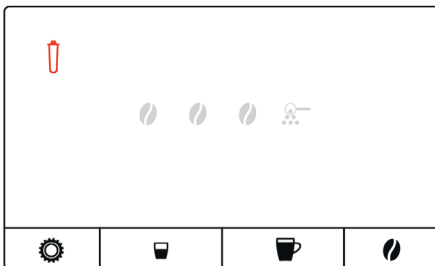
### 7 - "Descaling" symbol lights up



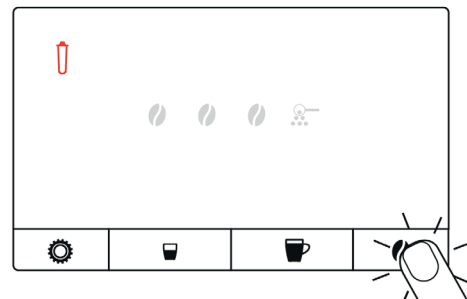
### 8 - Press the "Coffee" button twice



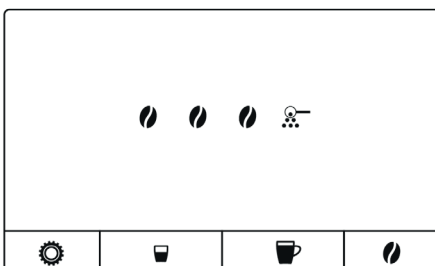
### 9 - "Filter" symbol lights up



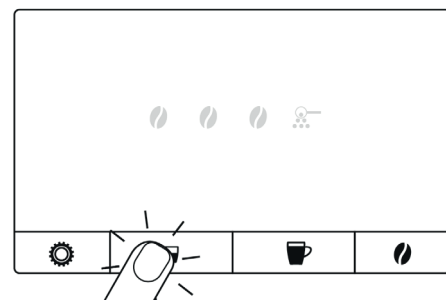
### 10 - Press the "Coffee strength" button



### 11 - Symbols light up



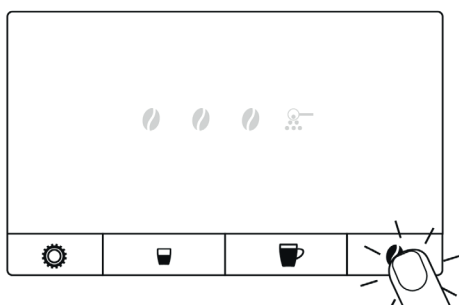
### 12 - Press the "Espresso" button



## Switching the machine from filter mode to descaling mode

⚠ These short operating instructions are not a replacement for the instructions for use. In the interests of safety, always read the safety information and warnings first.

### 13 - Press the "Coffee strength" button



### 14 - Symbols flash 3x

