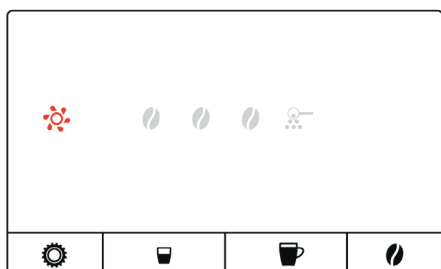


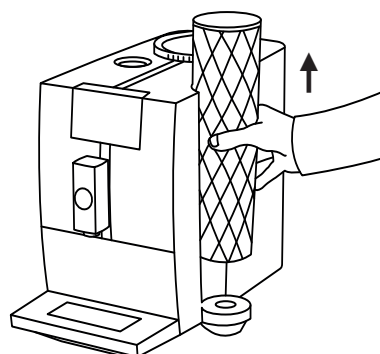
Cleaning the machine

⚠ These short operating instructions are not a replacement for the instructions for use. In the interests of safety, always read the safety information and warnings first.

1 - "Cleaning" symbol lights up



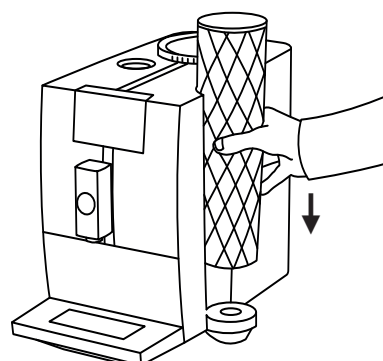
2 - Remove the water tank



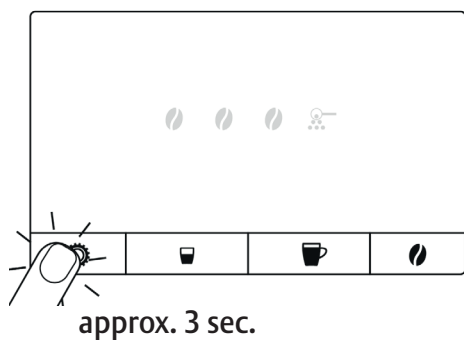
3 - Fill the water tank



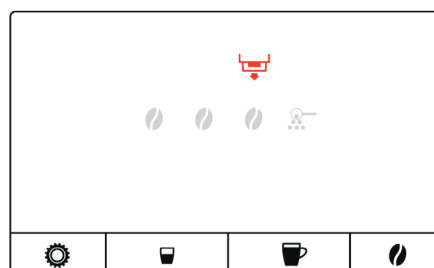
4 - Insert the water tank



5 - Press the "Programming Mode" button for approx. 3 sec



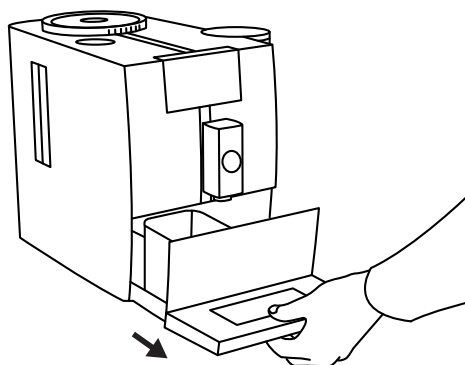
6 - "Drip tray" symbol lights up



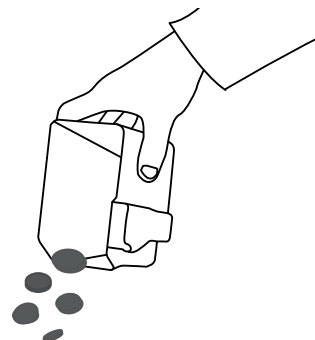
Cleaning the machine

⚠ These short operating instructions are not a replacement for the instructions for use. In the interests of safety, always read the safety information and warnings first.

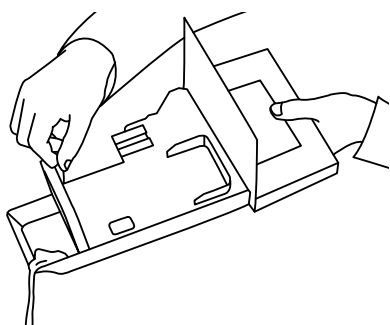
7 - Remove the drip tray



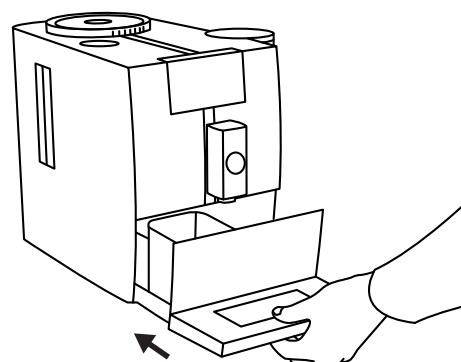
8 - Empty the coffee grounds container



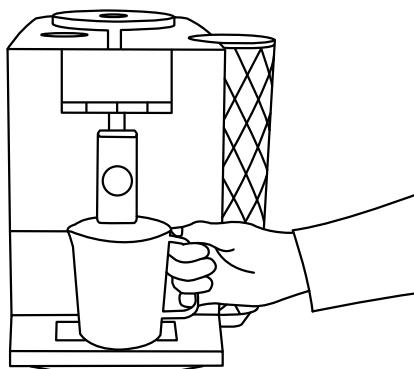
9 - Empty the drip tray



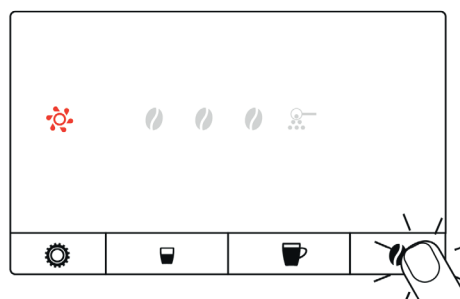
10 - Insert the drip tray



11 - Place a receptacle under the coffee spout



12 - Press the "Coffee strength" button



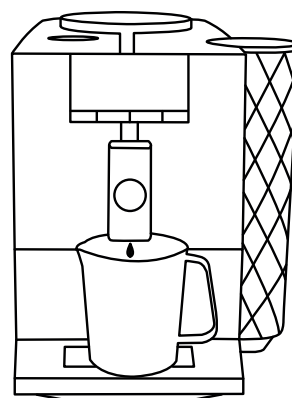
Cleaning the machine

⚠ These short operating instructions are not a replacement for the instructions for use. In the interests of safety, always read the safety information and warnings first.

13 - Symbols light up



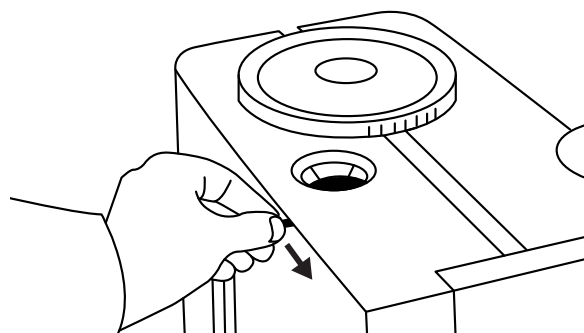
14 - Water flows out of the coffee spout



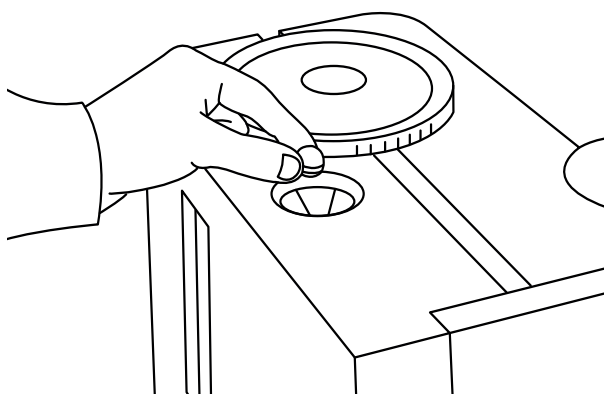
15 - "Ground coffee" symbol lights up



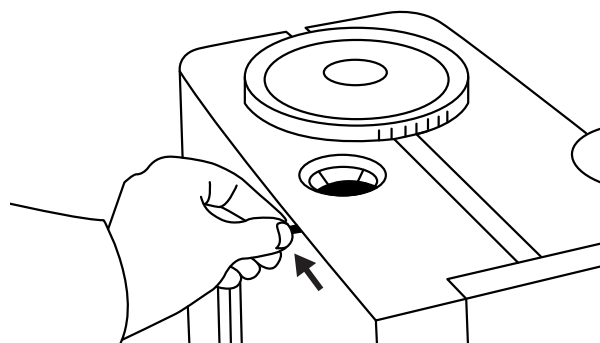
16 - Open the powder chute for ground coffee



17 - Insert a JURA cleaning tablet



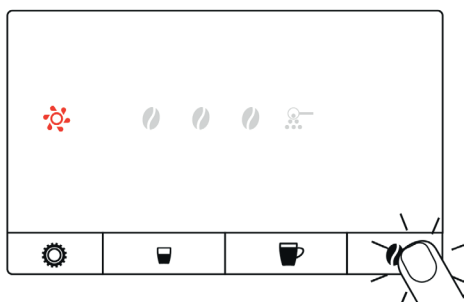
18 - Close the powder chute



Cleaning the machine

⚠ These short operating instructions are not a replacement for the instructions for use. In the interests of safety, always read the safety information and warnings first.

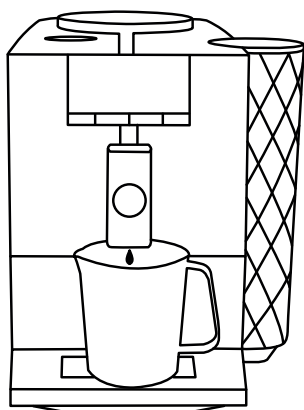
19 - Press the "Coffee strength" button



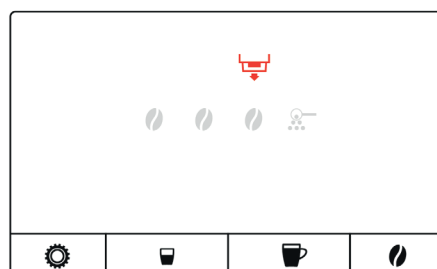
20 - Symbols light up



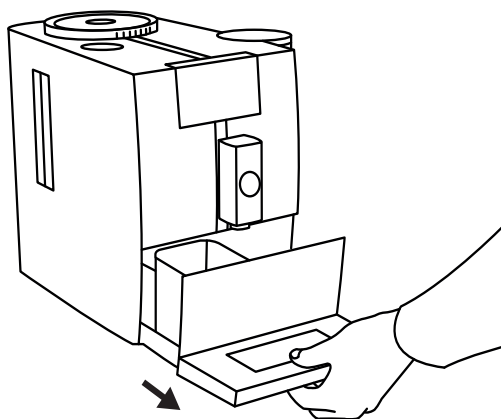
21 - Water flows out of the coffee spout



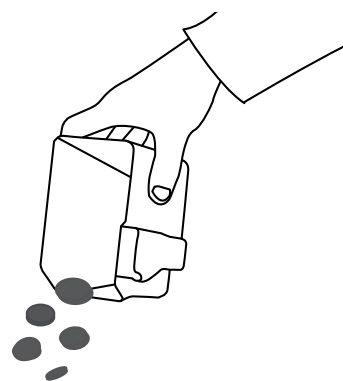
22 - "Drip tray" symbol lights up



23 - Remove the drip tray



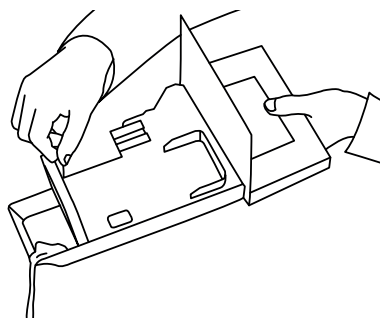
24 - Empty the coffee grounds container



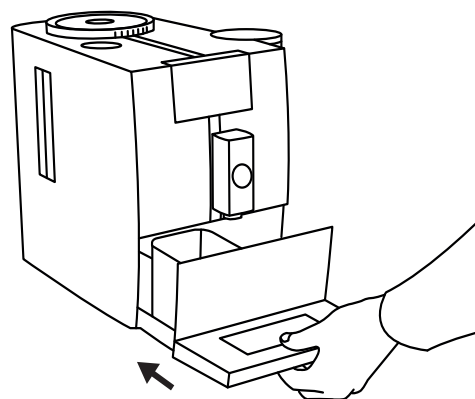
Cleaning the machine

⚠ These short operating instructions are not a replacement for the instructions for use. In the interests of safety, always read the safety information and warnings first.

25 - Empty the drip tray



26 - Insert the drip tray



27 - Symbols flash 3x

